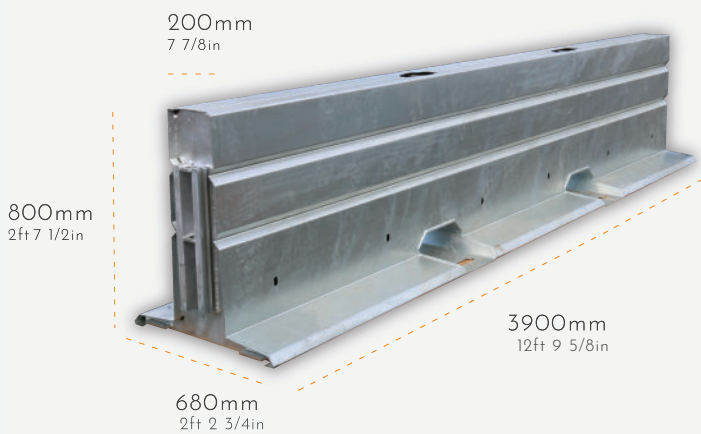


SAFE BARRIERS

ANCHORED DEFENDER BARRIER PREMIUM SAFETY SOLUTION

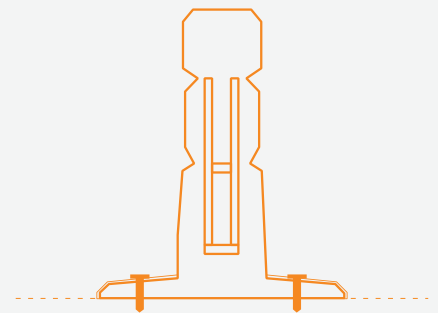
The first temporary barrier fully tested to the latest MASH 16, TL-3 and TL-4 guidelines.
Make your site safe with easy site handling and simple installation.



SPEEDS UP TO
50-100 KM/H



MASH 16
TL-3 TL-4



320KG PER BARRIER

SAFE BARRIERS GOING BEYOND STANDARDS

DEFENDER 100 LDS™

Low deflection system MASH TL3
Anchored every 2nd barrier

LASTS FOR 20 YEARS

Compared to concrete
barriers that lasts for 5 years

DEFENDER 100 HC™

Free Standing MASH TL4
Anchored every 12th barrier

OPTIMIZED FOR TRANSPORT & STORAGE

You can transport 175m(570ft) to
234m(768ft) on one single truck load

FAST DEPLOYMENT

Lightweight & easy
handling


SAFER TO HANDLE THAN 12M STEEL

Yard & site handling
is safer

— CONTACT US —

Call Safe Barriers to find out more about the latest evolution in versatile temporary road safety barriers.

 **AUSTRALIA**
1800 169 799

 **NEW ZEALAND**
09 950 7186

 **SINGAPORE**
65 3159 0947

 **USA**
1 888 215 4535