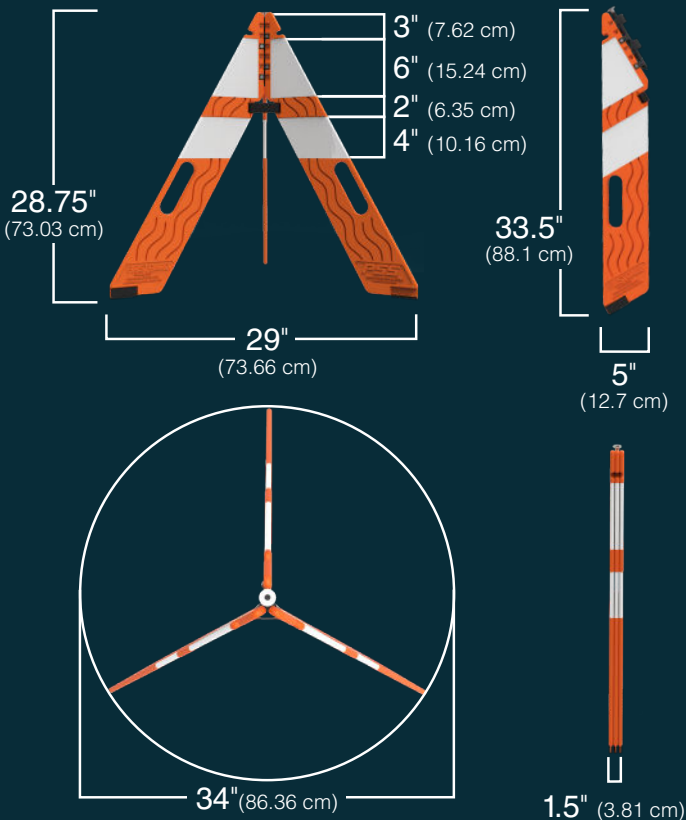


**ALSO AVAILABLE IN
SAFETY GREEN**



FIRSTGARD™
FOLDABLE CONE

DIMENSIONS OF FIRSTGARD:



FIRSTGARD BENEFITS:

FirstGard is a foldable traffic cone designed for rapid deployment as well as convenience. Folding to just 1.5" in width, a set of five requires minimal storage space in vehicles or storage compartments. Weighing 3.5 lbs each, FirstGard is lightweight but heavy enough to remain stable.

Each FirstGard unit has 237 square inches of sheeting for increased conspicuity and visibility while in conformity to the MUTCD.

FirstGard is also designed for endurance, featuring replaceable nylon hinge components to allow for repairs.

